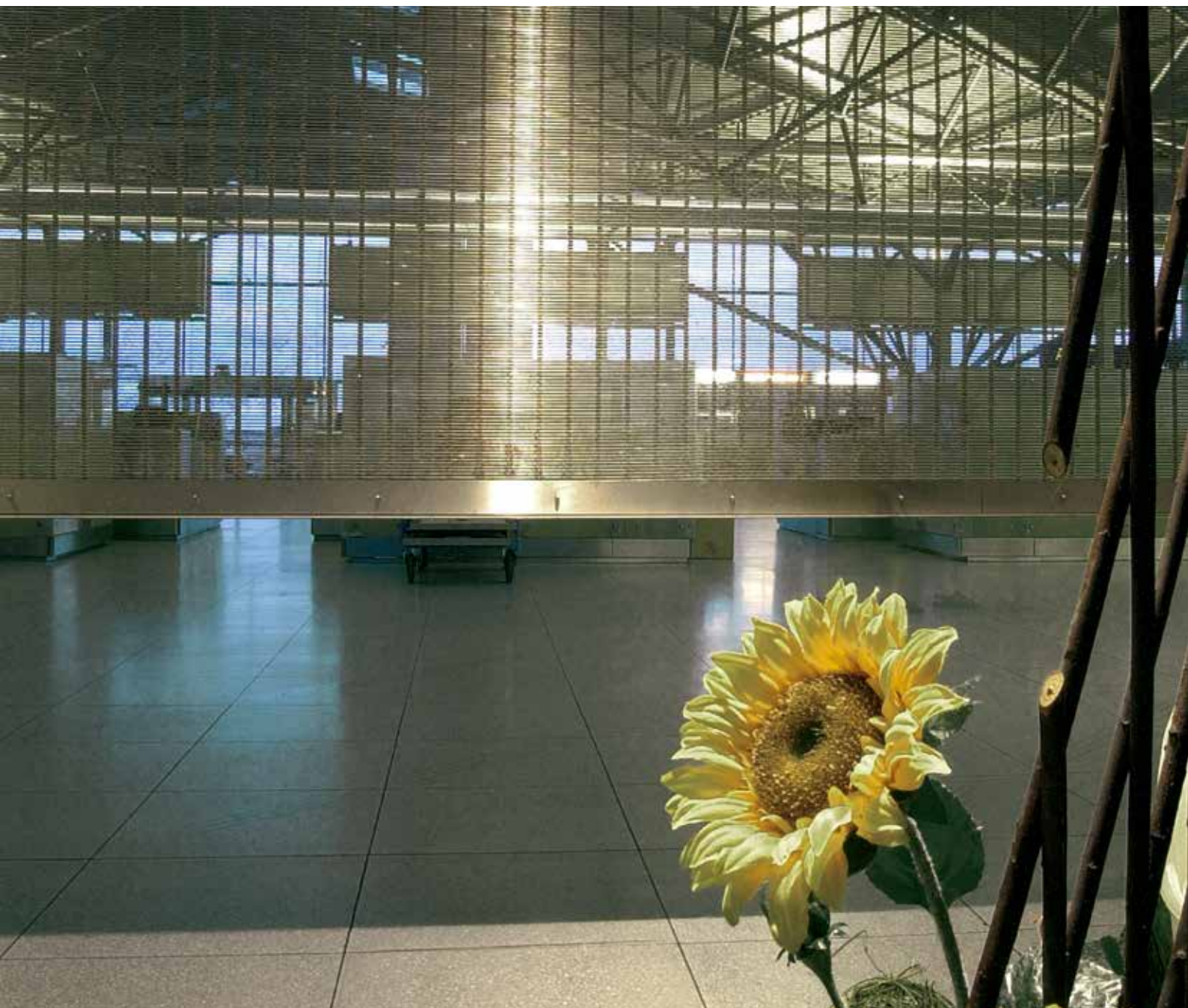


ROLLER SHUTTERS

SAFETY MADE OF METAL MESH



SAFELY LOCKED UP WITH METAL MESH

Roller shutters and doors made of GKD metal mesh impress with both their aesthetics and functionality. They effectively protect segregated areas from unauthorized access or serve as an optical access barrier. Depending on the model chosen, both systems are suitable for indoor or outdoor use. Despite their apparent lightness, the roller shutters and doors made of GKD metal mesh are sturdy and durable building components.

Thanks to their transparent appearance, our GKD metal meshes grant a view of the rooms behind it. In this way they help create an overall sense of space especially for interior applications. The degree of transparency can be defined by the type of mesh used. The transparent aesthetics can be further highlighted by a specially matched illumination concept. All roller shutters and doors made of GKD metal mesh are motorized



Picture 1: Roller shutter in a canteen, Münster, architect: Vervoorts & Schindler Architekten, Bochum, mesh: Tigris, ©GKD/Holtkötter / Picture 2: Shopping Mall,

and can be operated fully automatically or individually. They are both suitable for pedestrian and vehicle traffic. The optimized lateral guides ensure that the shutters slide down smoothly. As they employ stainless steel, these systems are easy to clean using standard commercial non-abrasive cleaners (see also: GKD Cleaning and Maintenance Instructions).

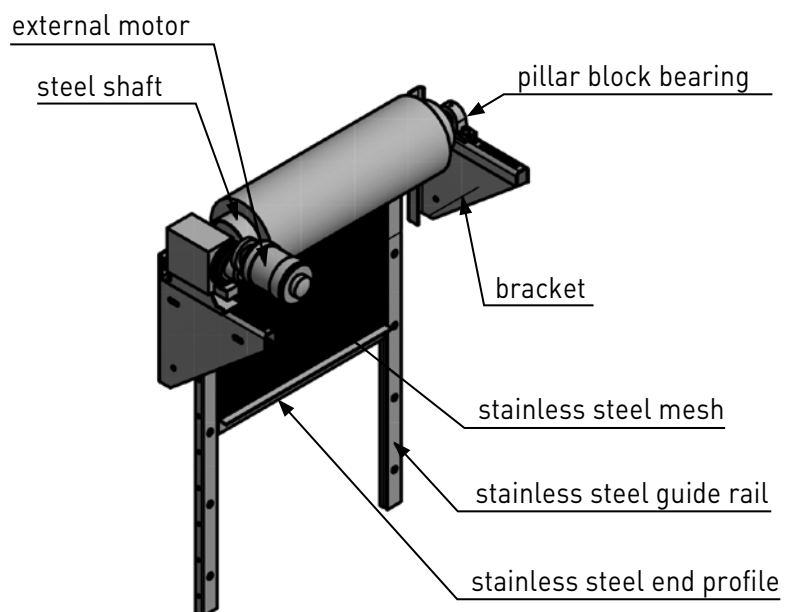
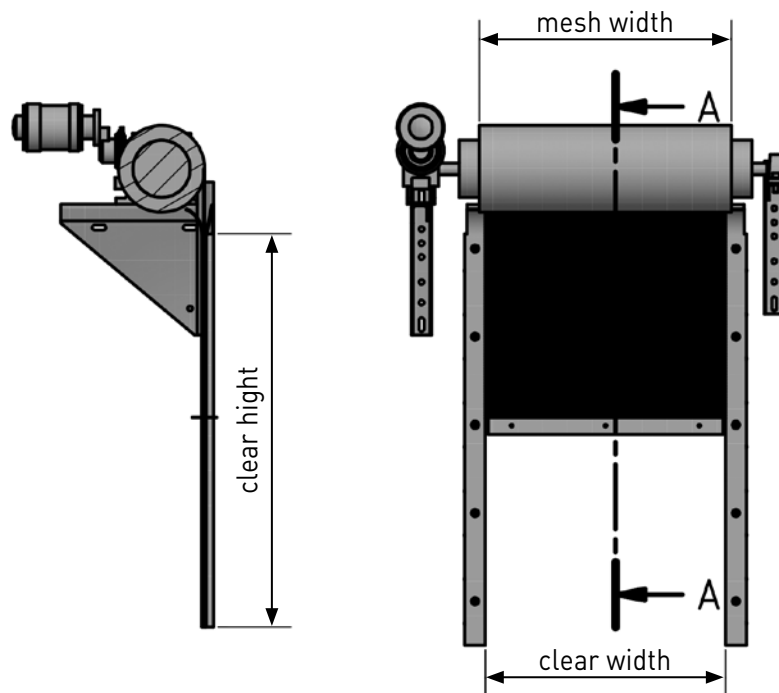
ADVANTAGES AT A GLANCE:

- ideal for shops, garages and entrance areas
 - various mesh types
 - widths from 2 to 8 m and a maximum height of 5 m – suitable for indoors and outdoors
-



Pforzheim, mesh: Tigris, ©GKD/Gögelein

SYSTEM OVERVIEW



MESH AND PERFORMANCE SPECIFICATION

Clear width of up to 8 m, clear height of up to 5 m*

Mesh types:	Lago, Sambesi, Tigris
Shaft:	Steel shaft
Motor:	External motor up to 750 Nm, 3~380V (other motor versions on request)
Control system:	Wall switch or automated with light curtains
Wind class:	2
Guides:	Stainless steel
End profile:	2x stainless steel angle 60x40x3

Scope of delivery:

- Metal mesh fully assembled with end section, stainless steel
- 2 standard brackets, 1 pillar block
- Stainless steel guide with PVC rails
- GfA external drive with digital limit switches; motors by other suppliers (also tube motors) on request
- Dead man's control with connection cable and CEE plug
- Metal mesh wrapped around a shaft, Packaging (cardboard)
- Optional: Reflection light barrier

The main features according to DIN EN 13241-1 are documented by relevant test certificates.



Mesh: Lago



Mesh: Sambesi



Mesh: Tigris

* Higher elements on request

GKD - GEBR. KUFFERATH AG

Metallweberstraße 46
52353 Düren
Germany
T +49 (0) 2421 803 - 0
F +49 (0) 2421 803 - 227
metalfabrics@gkd.de
www.gkd.de

GKD - GEBR. KUFFERATH AG

As a privately owned technical weaver, GKD-Gebr. Kufferath AG is the world market leader in metal, synthetic and spiral mesh solutions. Four independent business divisions bundle their expertise under one roof: **INDUSTRIAL MESH** (woven metal mesh and filter solutions), **PROCESS BELTS** (belts made of woven mesh and spirals), **METALFABRICS** (façades, safety and interior design made of metal fabrics) and **MEDIAMESH®** (transparent media façades). GKD continuously develops new fields of application through its manufacturing technology and process expertise. We use GKD meshes to create efficient systems, equipment and components that are perfectly integrated into our customers' processes across all industrial sectors. GKD is active on the international stage from its headquarters in Germany, five further production sites in the US, South Africa, China, India and Chile, as well as branches in France, Spain, Dubai and representatives all over the world.

BUSINESS UNIT: METALFABRICS

With top quality metal fabrics and design mesh, GKD combines aesthetics with function, experience with innovation. Whether custom metal fabrics or standardized system components, planners and architects have been benefiting from our creative impulses and technical innovations for more than 20 years – also in internationally outstanding architectural projects. The design options in terms of shapes, colors and surfaces ensure unique façade designs. Building shells become energy-efficient solar protection systems that can be adjusted for different times of the day. Bright LED media façades display high resolution content. Sound-absorbing ceiling systems improve room acoustics, while semi-transparent room dividers help structure interior designs. Roll-up doors offer effective burglary protection. GKD's diverse product portfolio offers the right solution for a very wide range of architectural applications.

CLOSE TO THE MARKET AROUND THE GLOBE.

- ① GKD GERMANY, Düren (headquarters)
- ② GKD FRANCE, La Roque d'Anthéron, Croisilles
- ③ GKD SPAIN, Barcelona
- ④ GKD USA, Cambridge, MD
- ⑤ GKD LATIN AMERICA, Santiago de Chile
- ⑥ GKD SOUTH AFRICA, Randfontein
- ⑦ GKD INDIA, Jaipur
- ⑧ GKD CHINA, Beijing, Qufu
- ⑨ GKD MIDDLE EAST, Dubai

